

M12 female 0° S-coded field-wireable4-pole max. 1,5mm², 8-10mm

Female straight

M12, 4-pole

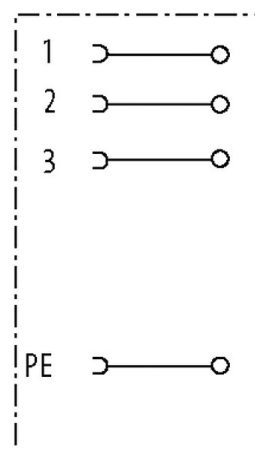
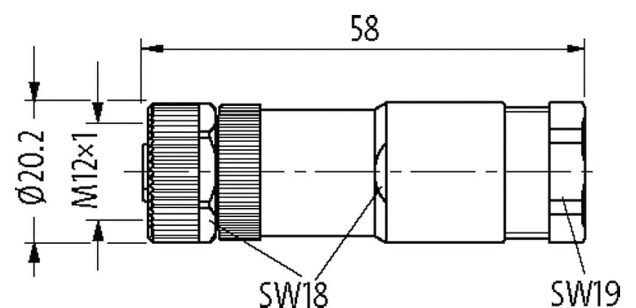
S-coded

Screw terminals

Sealing range (cable Ø): 8...10 mm

Plastic housings with good resistance against chemicals and oils.

The resistance to aggressive media should be individually tested for your application. Further details on request.

[Link to Product](#)**Illustration**

Product may differ from Image

Approvals

**Form**

Form P6411

General data

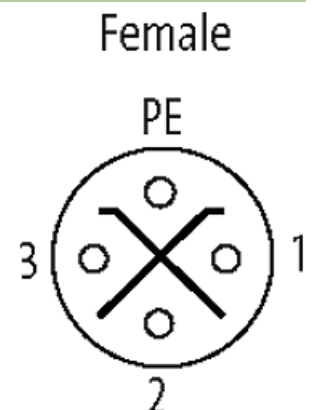
Pollution Degree 3
 Dimensions H×W×D 58×20×20 mm
 Temperature range -40...+85 °C

Technical Data

Operating voltage max. 630 V AC/DC
 Rated surge voltage 6.0 kV
 Operating current per contact max. 12 A
 Material group IEC 60664-1, category III
 Connection cross section 1.5 mm² (with ferrule end); 2.5 mm² (without ferrule end)
 Coding S-coded
 Sealing range (cable Ø) 8...10 mm
 Locking of ports Screw thread (M12×1 mm) recommended torque 0.6 Nm, self-securing
 Compression gland M12 (SW18)
 Protection IP67 inserted and tightened (EN 60529)
 Material PA
 Over voltage category III

Commercial data

country of origin DE
 customs tariff number 85366990
 EAN 4048879653831
 eClass 27279221
 Packaging unit 1

Sketch

Product may differ from Image